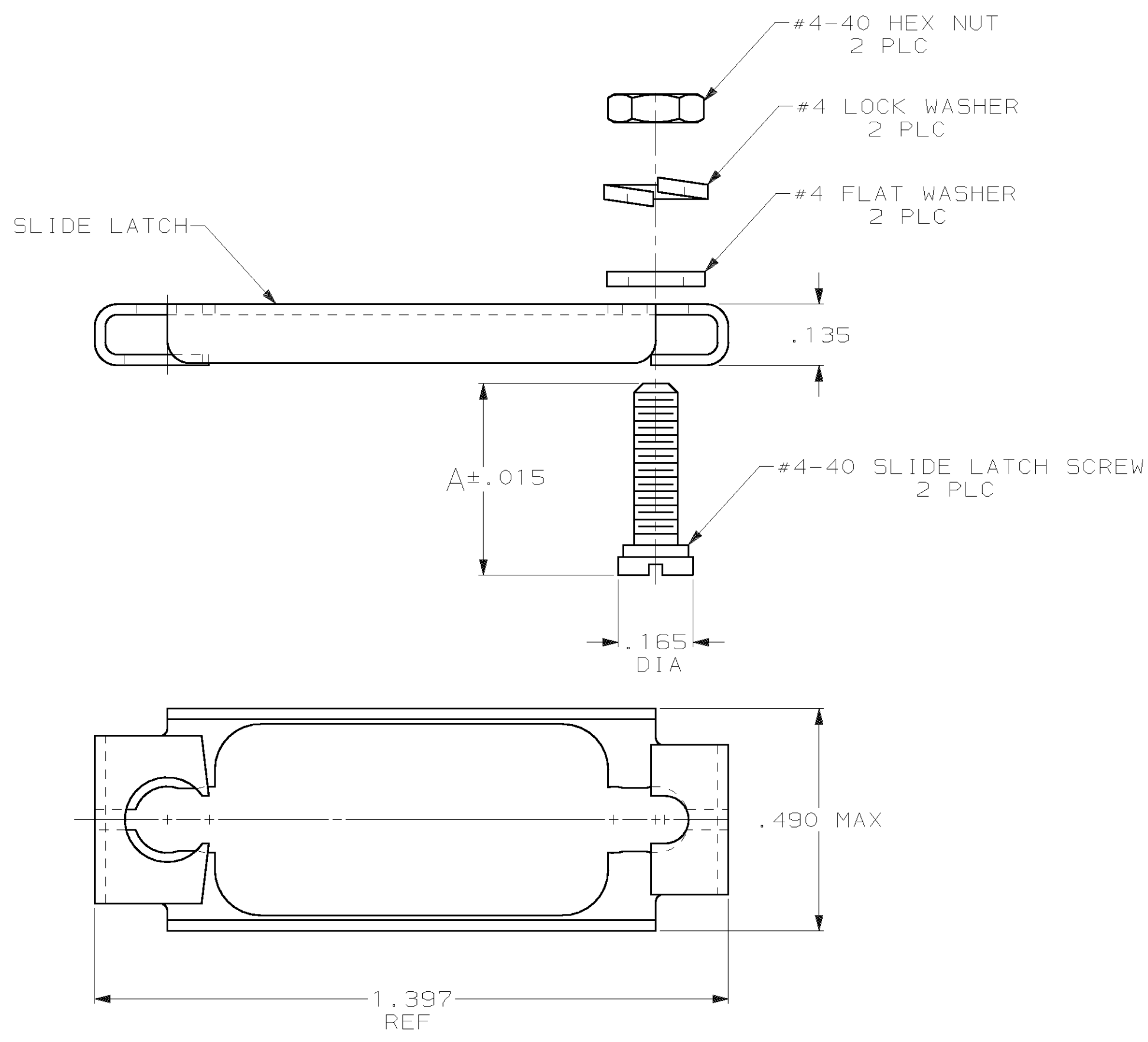


LOC	DIST	P	F	ZONE	LTR	DESCRIPTION	DATE	APPD
GP	00				B	REV PER OUID-0274-00	22 OCT 01	JR



- 1. PARTS PACKAGED UNASSEMBLED.
- 2. PARTS PACKAGED AS A UNIT KIT.
- 3. PARTS INDIVIDUALLY BULK PACKAGED & SHIPPED AS A UNIT PACKAGE.
- 4. THIS KIT CAN BE USED WITH CABLE CLAMP BODIES THAT DO NOT EXTEND BEYOND THE FRONT FLANGE OF THE CONNECTOR OR ON CONNECTORS WITHOUT CABLE CLAMPS.

4	SUPERSEDED BY 745404-1	.415	#4-40	3	745404-2
4		.415	#4-40	2	745404-1
		A	THREAD TYPE	PACKAGING	PART NO

DO NOT SCALE PRINT. UNLESS SPECIFIED DIMENSIONS IN INCHES TOLERANCES ON : 2 PLC DEC ± - 3 PLC DEC ± .005 ANGLES ± -	DR -	AMP INCORPORATED Harrisburg, Pa. 17105			
	CHK -				
MATERIAL SLIDE LATCH: STAINLESS STEEL HARDWARE: STEEL PER ASTM A108	APPD -	NAME KIT, SLIDE LATCH, SIZE 1, 9 POSITION, AMPLIMITE ®			
FINISH HARDWARE: ZINC PLATED PER ASTM B633, TYPE II, CLASS SC1, YELLOW CHROMATE	APPD -				
	PRODUCT SPEC	SIZE	FSCM NO	DRAWING NO	
	APPLICATION SPEC	C	00779	745404	
	WEIGHT -	SCALE	4:1	SHEET	1 OF 1